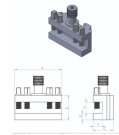
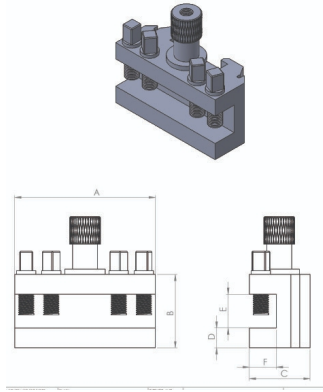
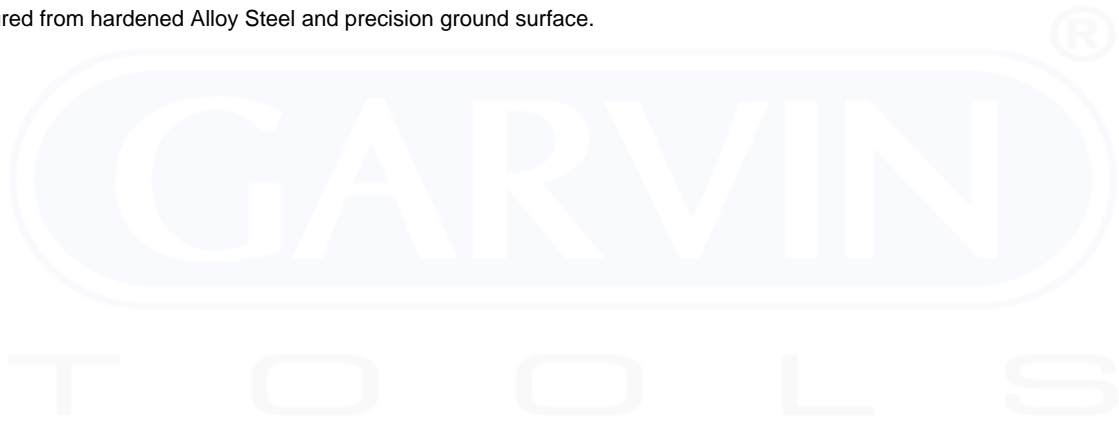


STANDARD HOLDERS DIXON TYPE



- Manufactured from hardened Alloy Steel and precision ground surface.



CAT.NO.	A	B	C	D	E	F	SUTABLE FOR
...	MM	MM	MM	MM	MM	MM
GTP-S37	57	27	27	6	12	11	GTP-T37
GTP-S51	73	34	32	8	16	13	GTP-T51
GTP-S63	73	44	32	10	22	14	GTP-T63
GTP-ST2	98	51	40	12	25	18	GTP-T2
GTP-ST3	124	70	47	17	35	22	GTP-T3



www.garvintools.com