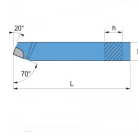
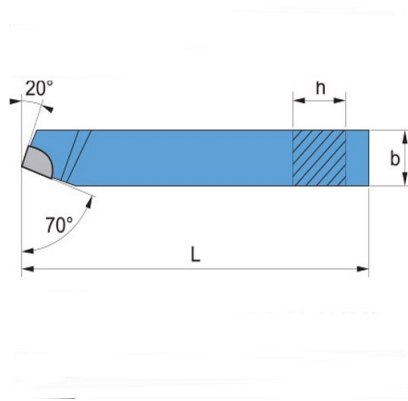
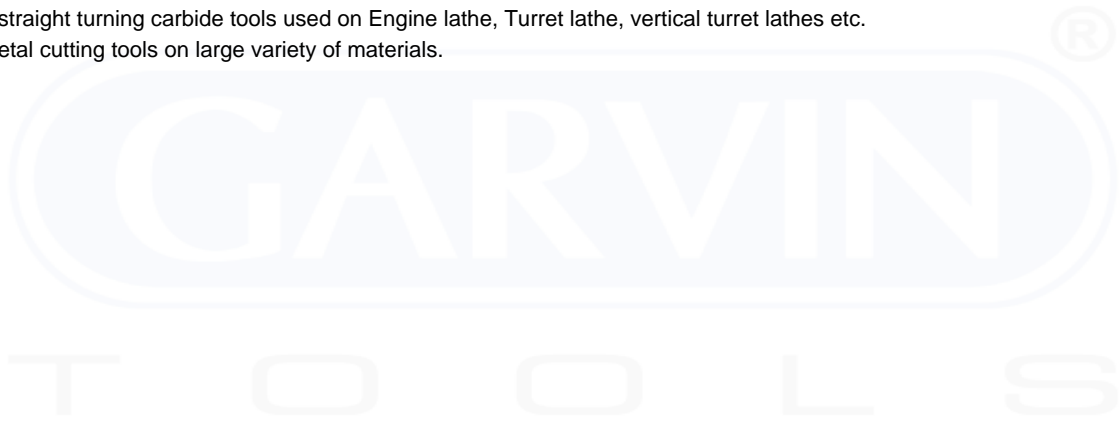


STRAIGHT TURNING TOOL



- These are straight turning carbide tools used on Engine lathe, Turret lathe, vertical turret lathes etc.
- Used as Metal cutting tools on large variety of materials.



Cat No.	ISO 1 R/L		DIN 4971
	H (MM)	B (MM)	L (MM)
GBT-8068	6	6	80
GBT-8069	8	8	80
GBT-8070	10	10	90
GBT-8071	12	12	100
GBT-8072	16	16	110
GBT-8073	20	20	125
GBT-8074	25	25	140



www.garvintools.com