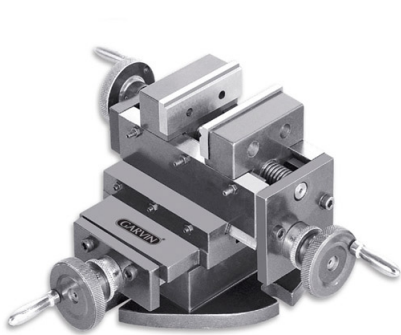


COMPOUND SLIDING VICE



- Robust construction manufactured from closed grain high tensile seasoned cast iron.
- Assembled and supplied with self centering vice.
- Used for milling, shaping, drilling, grinding etc.
- Jaws are hardened and ground.
- X Travel 85mm
- Y Travel 105mm
- Allows self centering for accurate centering of jobs automatically.

GARVIN[®]
T O O L S

Cat. No.	Jaw Width		Jaw Opening		X & Y AXIS		Jaw Depth		Height	
	Inch	mm	Inch	mm	Inch	mm	Inch	mm	Inch	mm
GCS-0126	3-1/8	80	3	75	1-1/4	32	6	150		

