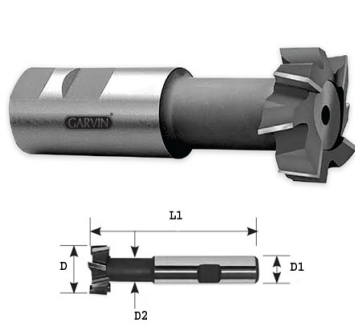


T-SLOT CUTTERS



METRIC							
CAT.NO.	BOLT SIZE	D	W	D1	D2	L1	NO.OF TEETH
	(MM)	(MM)	(MM)	(MM)	(MM)	(MM)	(MM)
GST-5463	6	12.5	6	10	5	57	6
GST-5464	8	16	8	10	7	62	6
GST-5465	10	18	8	12	8	70	6
GST-5466	12	21	9	12	10	74	6
GST-5467	14	25	11	16	12	82	8
GST-5468	16	28	12	16	13	85	8
GST-5469	18	32	14	16	15	90	8
GST-5470	20	36	16	25	17	103	10
	22	40	18	25	19	108	10
INCHES							
CAT.NO.	BOLT SIZE	CUTTER DIA.	CUTTER WIDTH	NECK DIA.	SHANK.DIA.	NO.OF TEETH	O.A.L
GST-5471	1/4"	9/16"	15/64"	17/64"	1/2"	8	2.19/32"
GST-5472	5/16"	21/32"	17/64"	21/64"	1/2"	8	2.11/16"
GST-5473	3/8"	25/32"	21/64"	13/32"	3/4"	8	3.1/4"
GST-5474	1/2"	31/32"	25/64"	17/32"	3/4"	8	3.7/16"
GST-5475	5/8"	1.1/4"	31/64"	21/32"	1"	10	3.15/16"
GST-5476	3/4"	1.15/32"	5/8"	25/32"	1"	10	4.7/16"
GST-5477	1"	1.27/32"	53/64"	1.1/32"	1.1/4"	10	4.13/16"
GST-5478	1.1/4"	2.7/32"	1.3/32"	1.9/32"	1.1/4"	12	5.3/8"

